



## 8 Performance & Performance Plus Sail Kit Assembly Instructions

Sail Kit Part #99107 Instruction Book Part #14021 Rev #SR.01.16.06



### PARTS LIST

(Specifications and contents subject to change without notice)

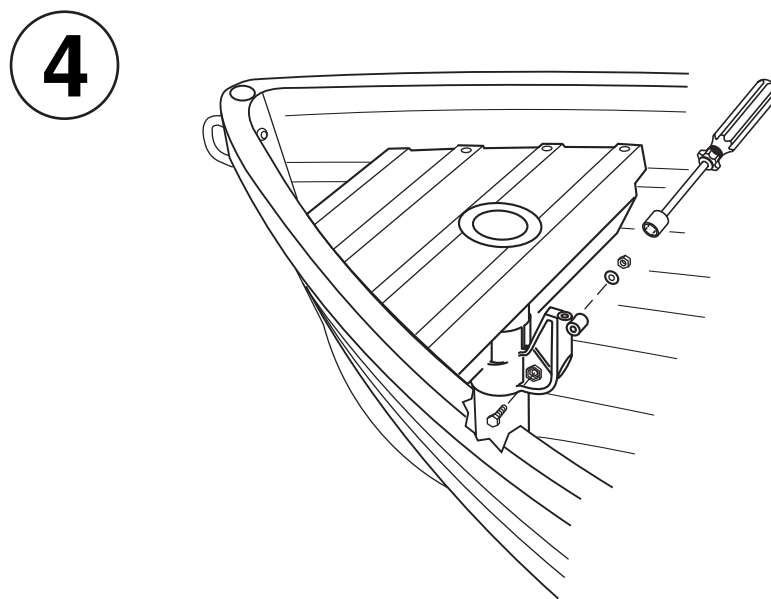
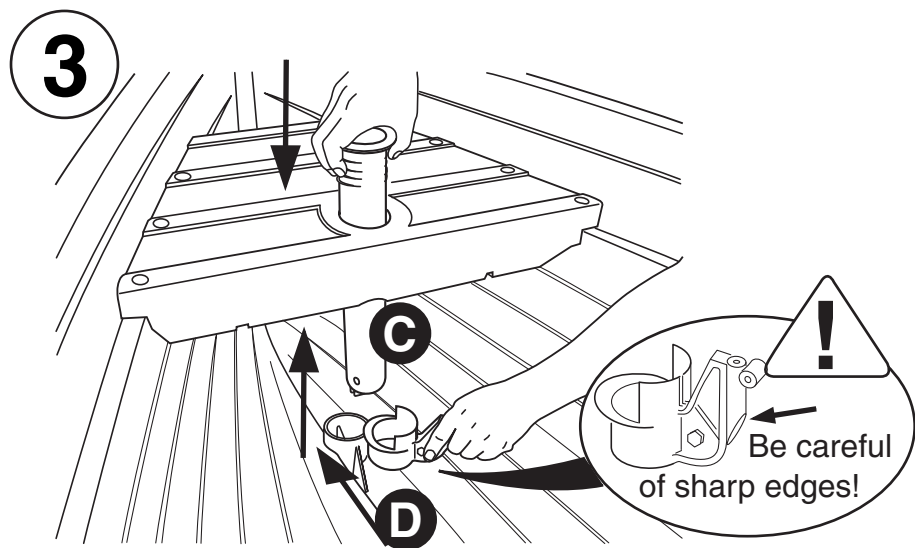
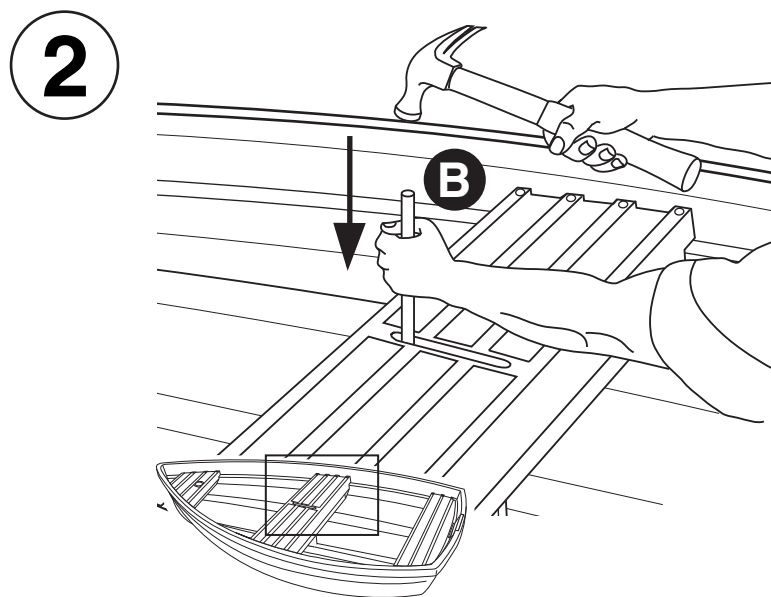
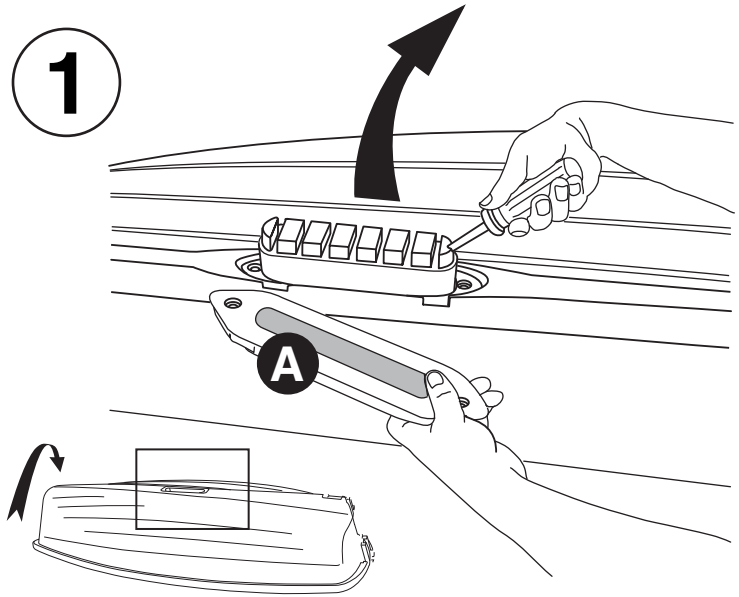
Description	Part #
A. Open Keel Cover Plate .....	#17012
B. Dowel .....	#24065
C. Mast Support Tube .....	#17146
D. Mast Support Clamp .....	#23070
E. Seat Block Clamp .....	#26039
F. Ratchet Block .....	#17099
G. Lower Mast Half (w. gooseneck ring) .....	#24020
H. Upper Mast Half .....	#24010
I. Sail and Bag	
Performance Sail .....	#17400
Performance Plus Sail .....	#17407
J. Boom .....	#24001
K. Line Kit .....	#23061
1. Mainsheet: 160" (4.07m) green/white	
2. Outhaul: 50" (1.27m) yellow/white	
3. Clew: 12" (0.3m) yellow/white	
4. Cunningham: 32" (0.82m) red/white	
5. Vang: 60" (1.53m) blue/white	
L. Telescoping Tiller .....	#24032
M. Rudder (retractable aluminum blade) .....	#24046
N. Daggerboard 40" (1.0 m), aluminum .....	#24057
O. Flotation Bag (Performance Sail Kit only) .....	#915000
P. Seat Plug .....	#24060



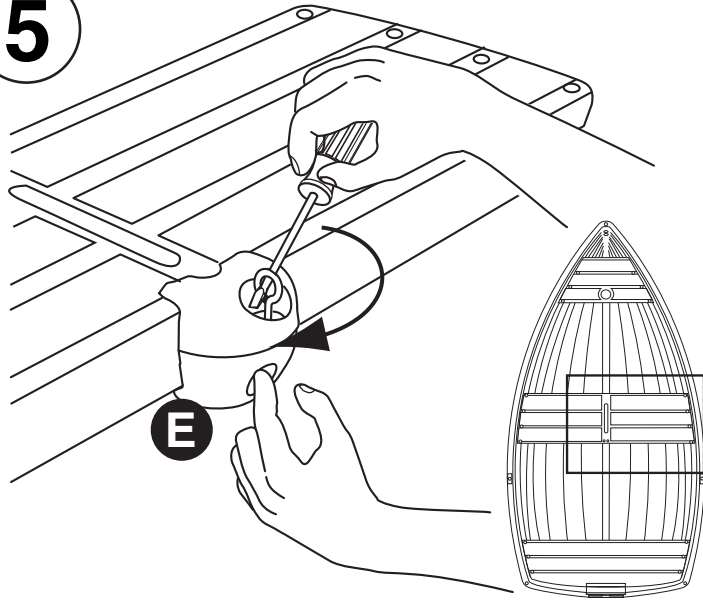
Walker Bay Boats Inc. 717 Butterfield Rd, Yakima, WA 98901, USA

Toll Free Phone (U.S.A & Canada) 1-888-44WALKER (449-2553) or 604-682-5699 Fax (U.S.A & Canada) 1-888-228-7222 or 604-683-1877

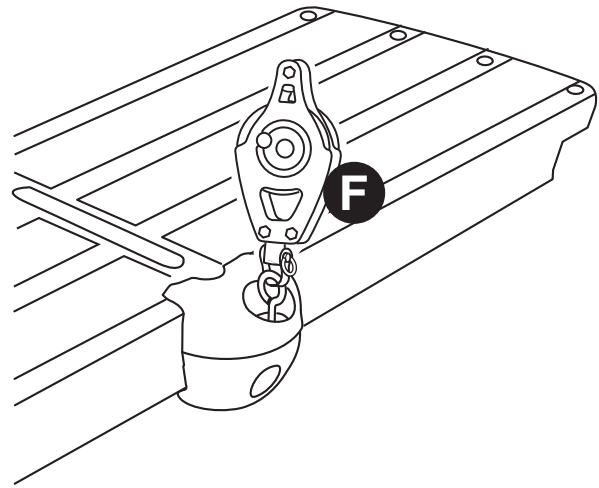
web: [www.walkerbay.com](http://www.walkerbay.com) email: [info@walkerbay.com](mailto:info@walkerbay.com)



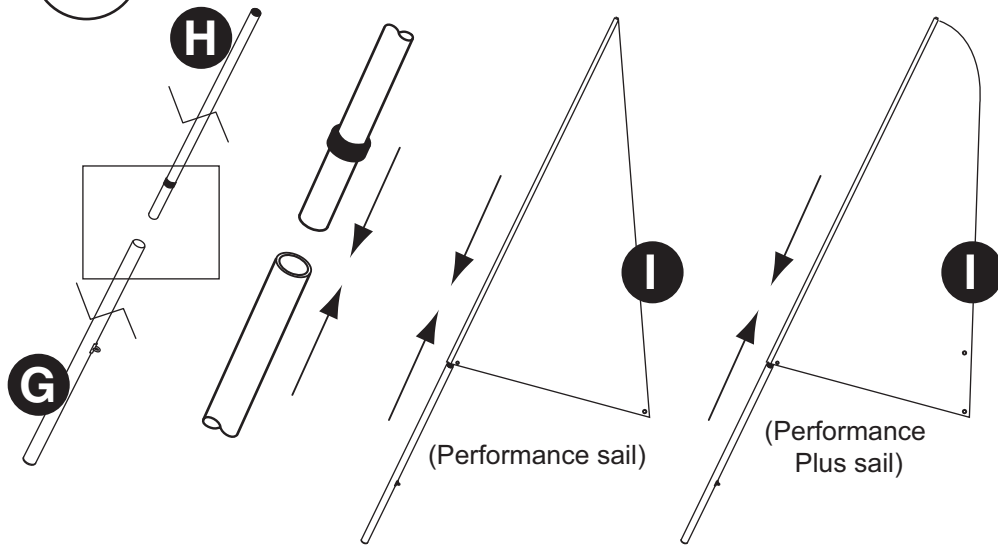
5



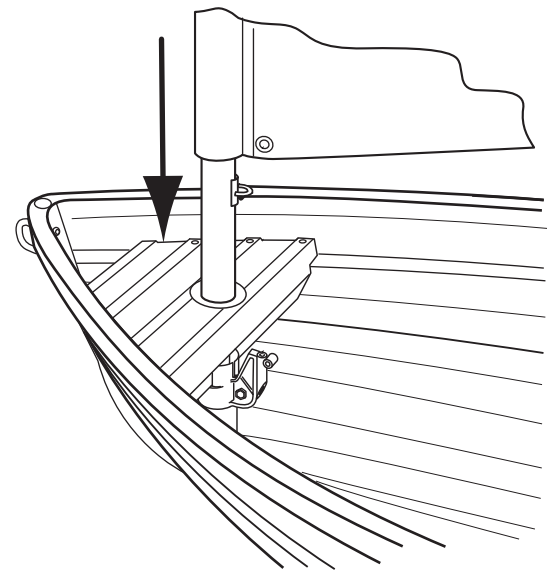
6



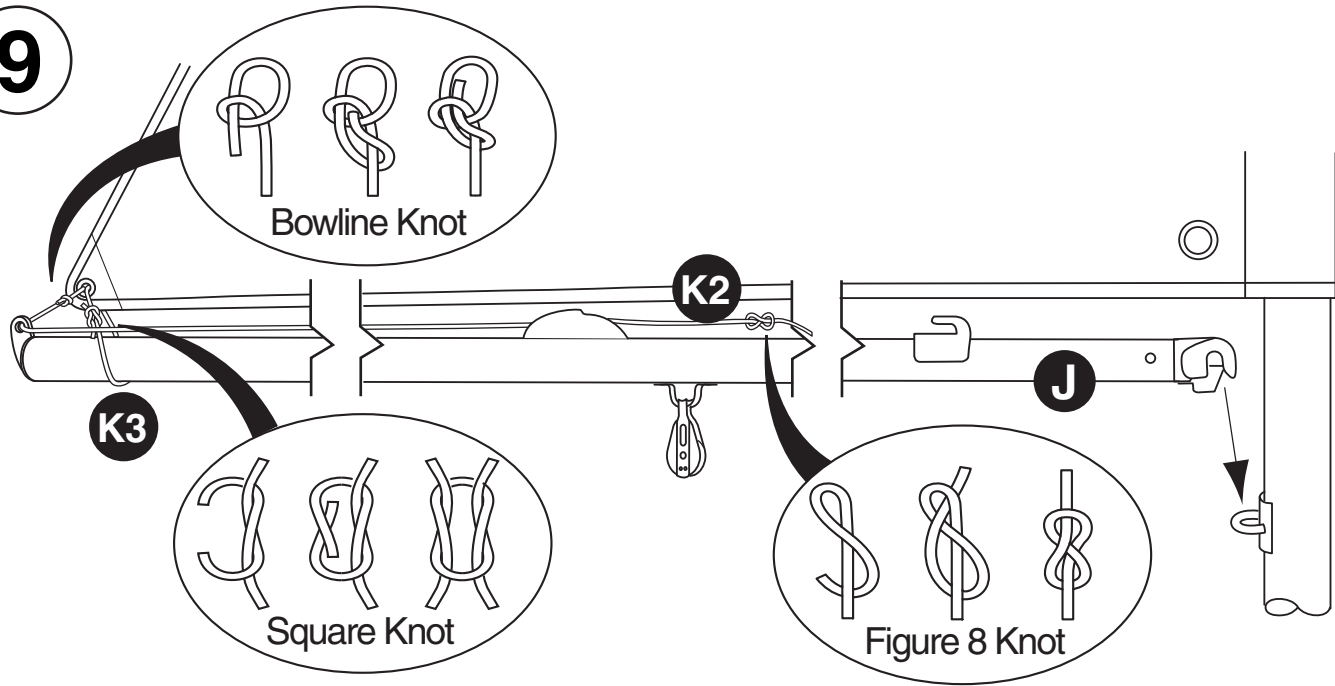
7



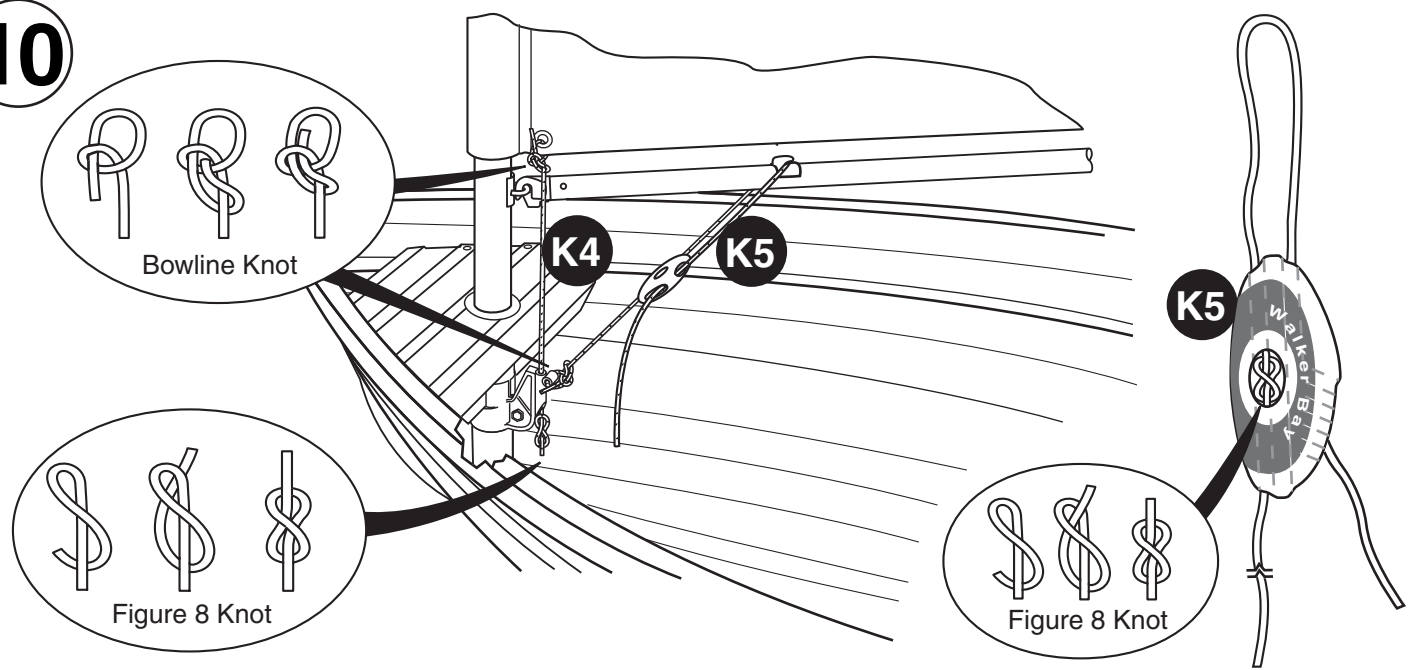
8

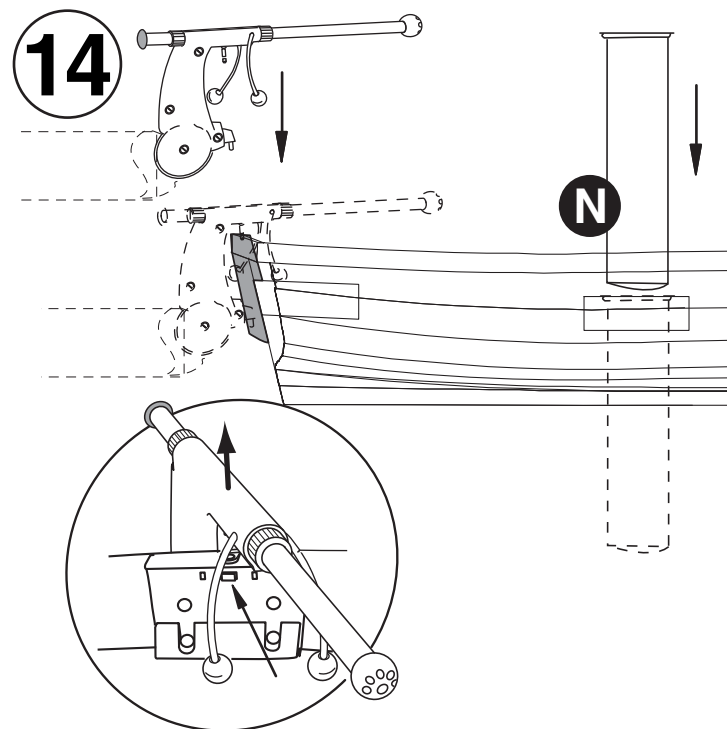
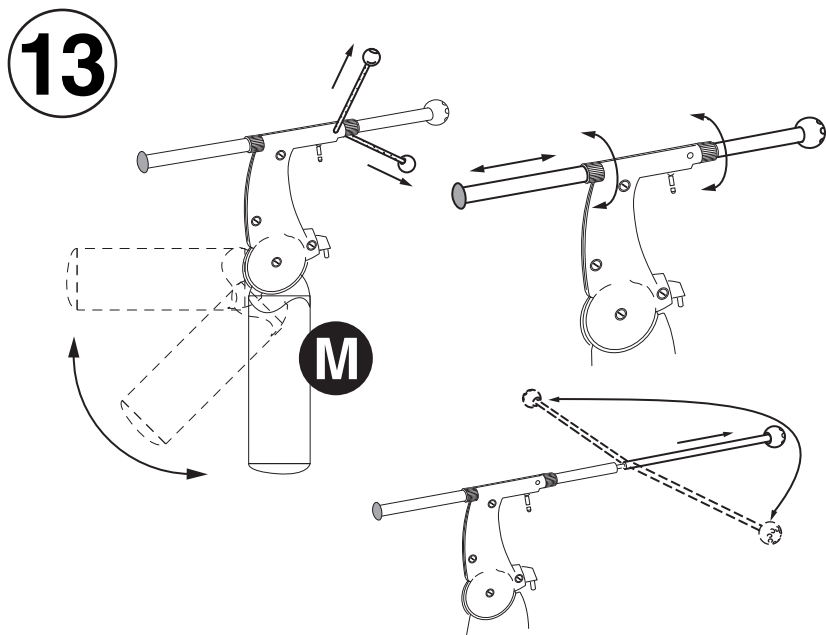
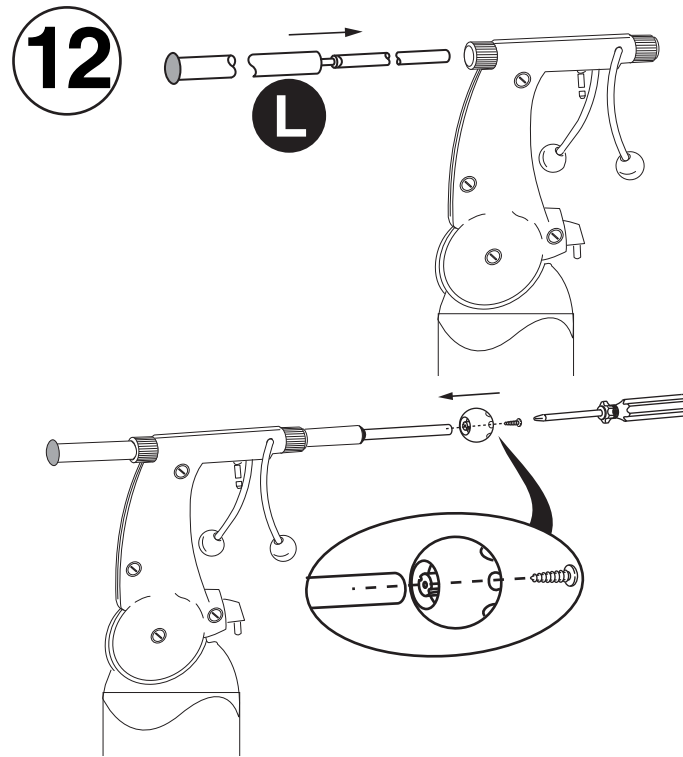
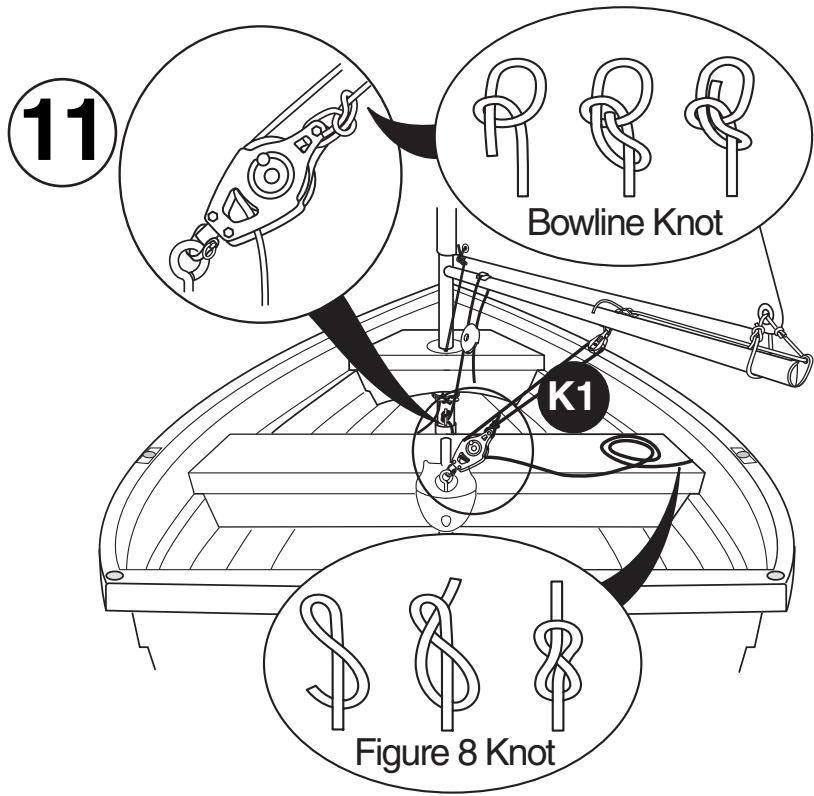


9



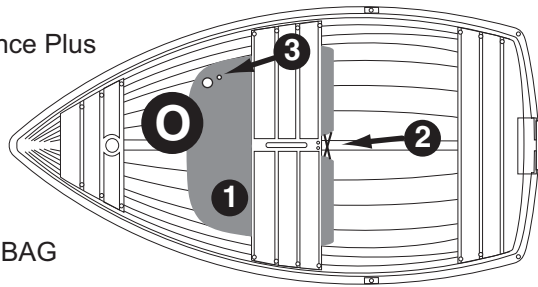
10





# 15

Performance Sail Kit Only.  
Not included with Performance Plus  
Sail Kit.



## INSTALLING THE FLOTATION BAG

1. Insert bag under middle seat.
2. Secure ties around daggerboard well.
3. Inflate bag by blowing or pumping air into the smaller valve.

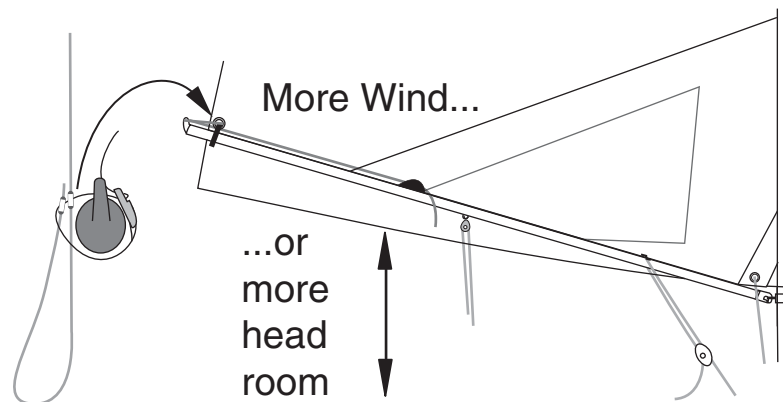
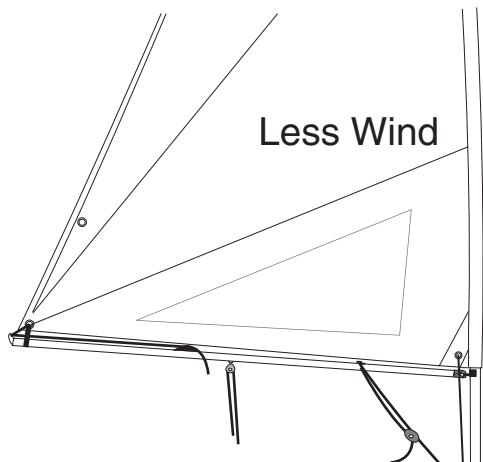
## ! WARNING

This flotation bag is not designed to replace a personal flotation device, clothing commensurate with the conditions, the practice of maintaining products in good working order, the “buddy system” (a rescue boat), or common sense.

The flotation bag will displace water captured in the hull if your Walker Bay boat capsizes while sailing. The bag will reduce the amount of water that needs to be bailed out of the hull, making it easier to right the boat and sail away.

## HOW TO ADJUST SAIL SIZE

(Performance Plus Sail Kit only)





## WARNING

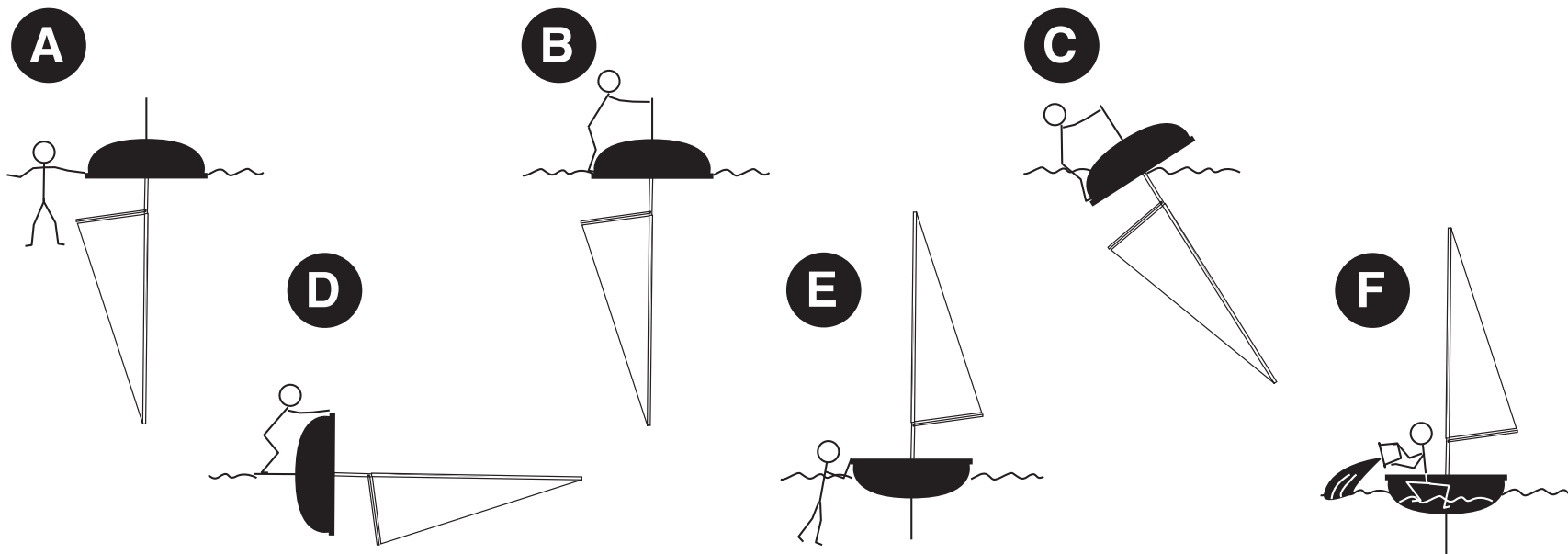
### IMPORTANT SAFETY INFORMATION

- READ OWNERS MANUAL. IMPROPER USE MAY CAUSE INJURY OR DEATH.
- EACH PASSENGER MUST HAVE AN APPROVED PERSONAL FLOTATION DEVICE.
- CARRY AN OAR AND BAILER ON BOARD WHILE SAILING.
- USE A BUDDY SYSTEM, SAIL WHERE PEOPLE CAN SEE AND HELP YOU IF NECESSARY.
- DO NOT USE A MOTOR OR SAIL UNLESS YOU USE THE EQUIPMENT IN THE MANNER INTENDED AND/OR AS DESCRIBED IN THE MANUAL.
- DO NOT USE THIS BOAT UNDER THE INFLUENCE OF DRUGS OR ALCOHOL.
- DO NOT USE THIS BOAT IF YOU SUSPECT A CRACK OR A HOLE. IT MAY BE UNSAFE.
- USE CAUTION WHEN ENTERING OR EXITING THE BOAT.
- KEEP YOUR WEIGHT CENTERED AND DISTRIBUTE THE WEIGHT OF GEAR AND PASSENGERS EVENLY.
- DO NOT USE THIS BOAT AS A TOW CRAFT.
- THIS BOAT IS NOT A TOY. ADULT SUPERVISION ADVISED.
- PARTS AND SPECIFICATIONS SUBJECT TO CHANGE WITHOUT NOTICE.
- FOR SAFETY INFORMATION OR PARTS, CALL WALKER BAY BOATS AT:  
(888) 44-WALKER OR (604) 682-5699.

## MAINTENANCE AND STORAGE

- After use, especially in salt water, rinse boat, sail, spars and rigging with fresh water.
- Do not use detergents or chemicals to clean sail.
- Roll sails and store inside sail bag.
- Do not store sails wet or damp.
- Avoid unnecessary prolonged exposure of sails to direct sunlight.
- Check rigging before each use, and service if necessary.

## RIGHTING YOUR BOAT AFTER CAPSIZE



## CORRECT SAILING POSITIONS

