



WALKER BAY®

10 High Performance Sail Kit Assembly Instructions

Sail Kit Part #99131 Instruction Book Part #14041 Rev #SR.01.16.06



PARTS LIST

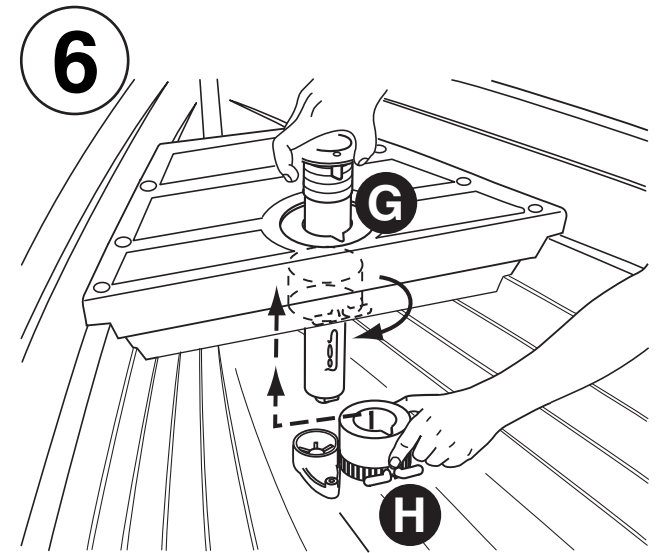
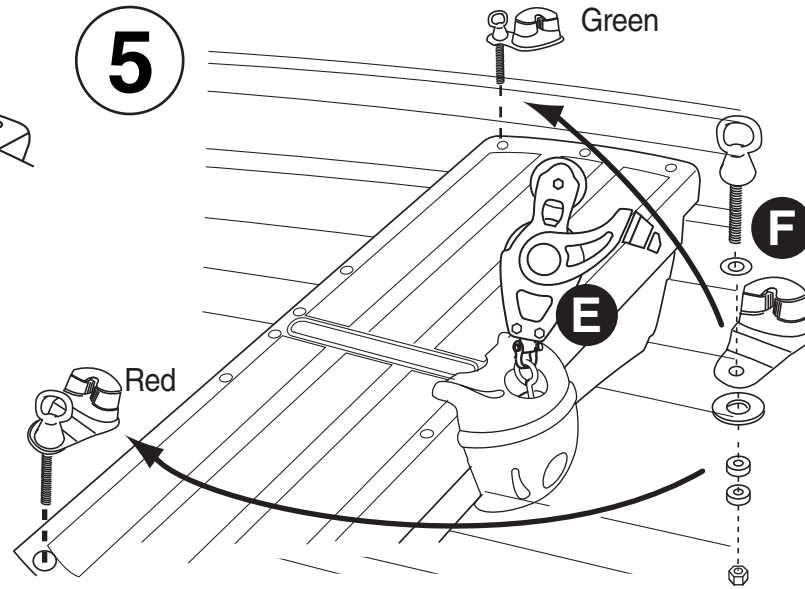
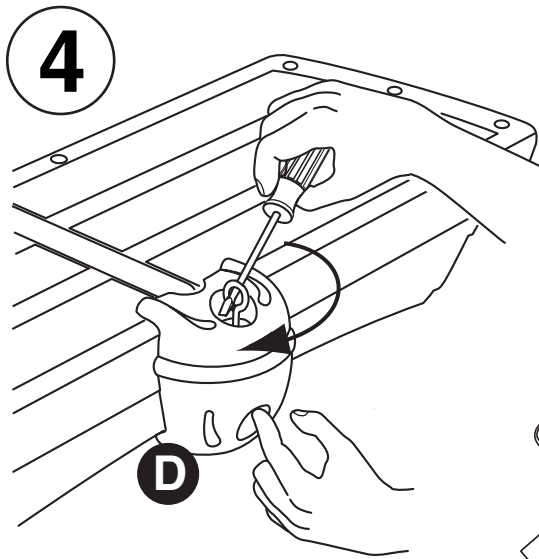
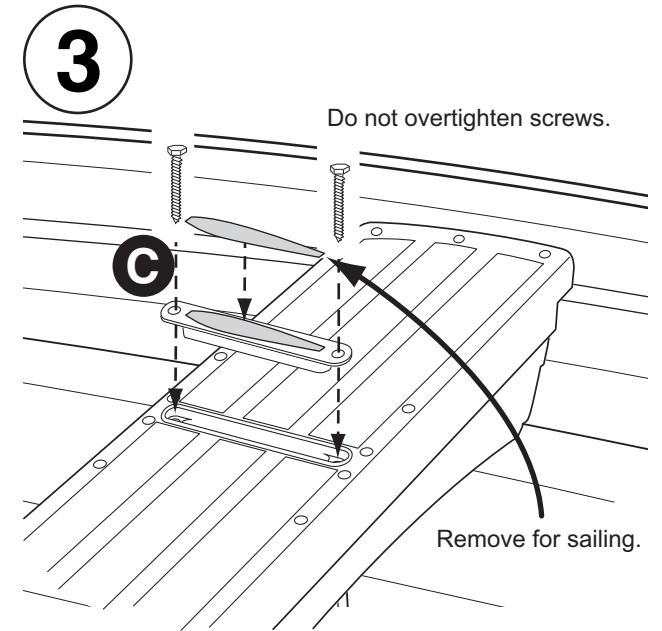
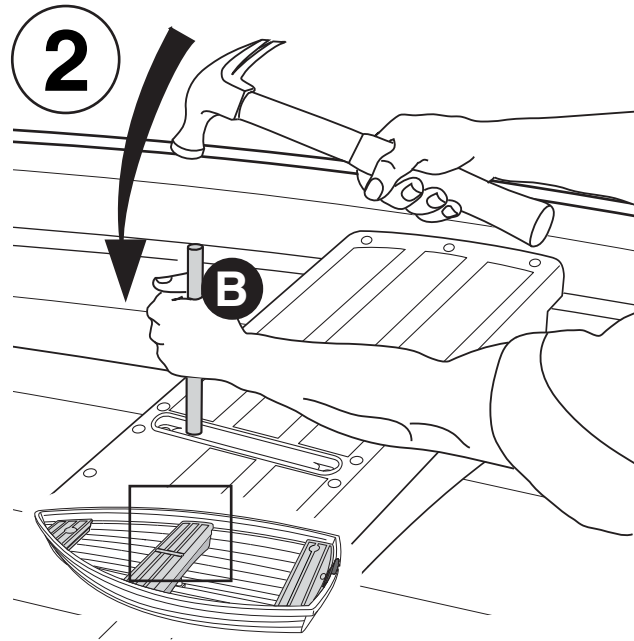
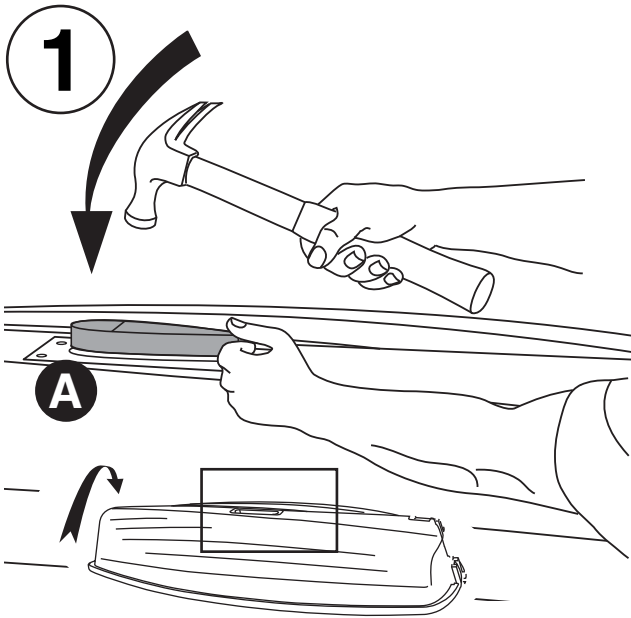
(Specifications and contents subject to change without notice)

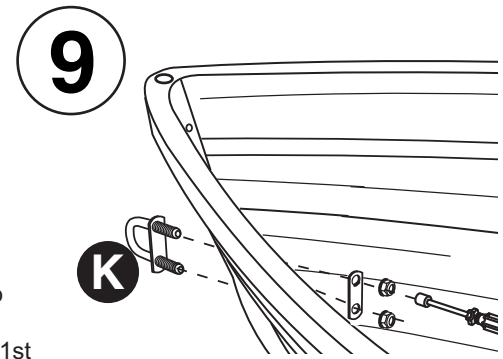
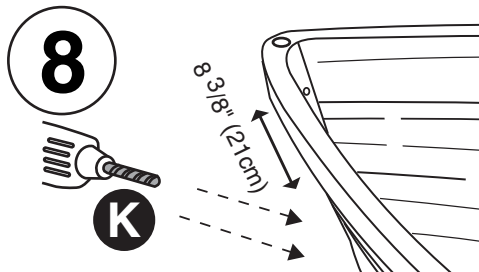
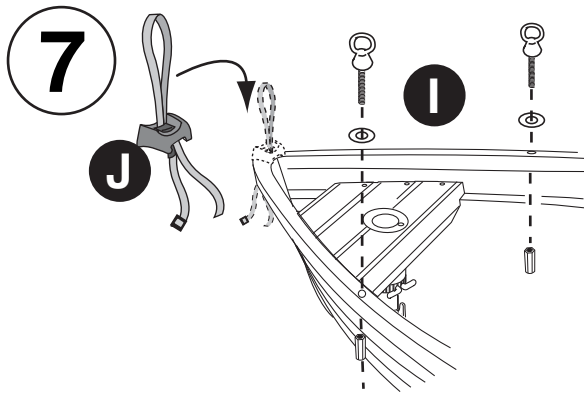
Description	Part #
A. Die Tool	#18132
B. Dowel	#24065
C. Daggerboard Housing Cap w. Screws (#14 x 4")	#26024
D. Seat Block Clamp (w. eye bolt)	#26041
E. Mainsheet Block (w. fiddle and cam)	#17170
F. Jib Cam w. Eyebolt (green/right #26022, red/left #26023)	
G. Mast Support Tube (black)	#18172
H. Mast Support Collar (black)	#18173
I. Stay Eyebolts (w. retainer nut #11054)	#11086
J. Bow Sprit Cup #26025, Webbing #17279	
K. Heavy Duty Bow Eye (w. drill bit 25/64" #11192)	#17217
L. Upper Wing Mast (2.18 m), (w. mast tang)	#24011
M. Lower Wing Mast (2.18 m), (w. horn cleats)	#24021
N. Mast Connector (w. 2 push pins)	#23071
O. Mast Base (w. bow sprit receiver)	#23072
P. Mast Tang Shackle	#17162
Q. Line Kit, 10HP	#23064
1. Front Stay w. Turnbuckle: 157" (4.0 m)	
2. Side Stays w. Turnbuckle: 173" (4.4 m)	
3. Lower Stay w. Snap Hook	
4. Main Halyard w. "S" Hook: 354" (9.0 m) Black	
5. Jib Halyard w. "S" Hook: 256" (6.5 m) White	
6. Outhaul: 63" (1.6 m) Black	
7. Vang (w. cleat): 86" (2.2 m) Black	
8. Jibsheet: 157" (4.0 m) (green/right, red/left)	
9. Mainsheet: 197" (5.0 m) Black	
10. Clew: 21"	
R. Bow Sprit	#26026
S. Sails, High Performance	#17408
1. Main Sail	
2. Jib Sail	
3. Main Sail Straps	
4. Sail Bag	
T. Boom (w. block & becket #23073)	#24002
U. Tiller Handle (telescoping)	#24032
V. Rudder (w. retractable aluminum blade)	#24045
W. Daggerboard 47" (1.2 m) Aluminum	#24056

Walker Bay Boats Inc. 717 Butterfield Rd, Yakima, WA 98901, USA

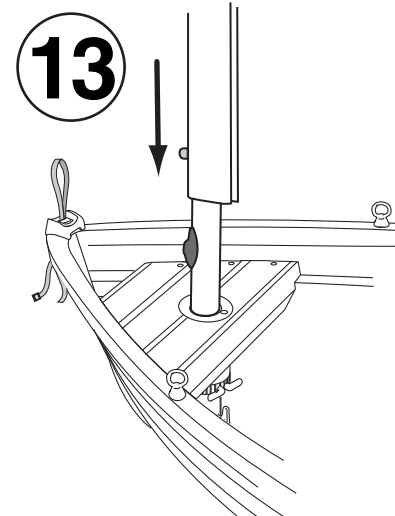
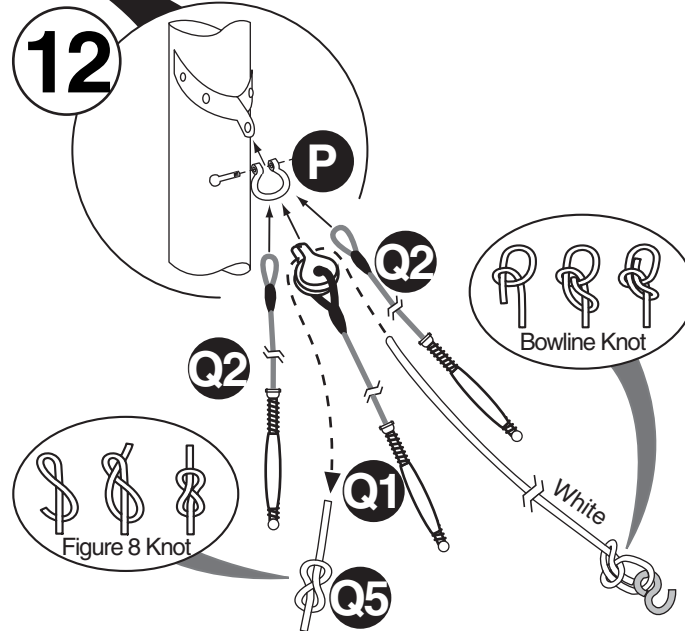
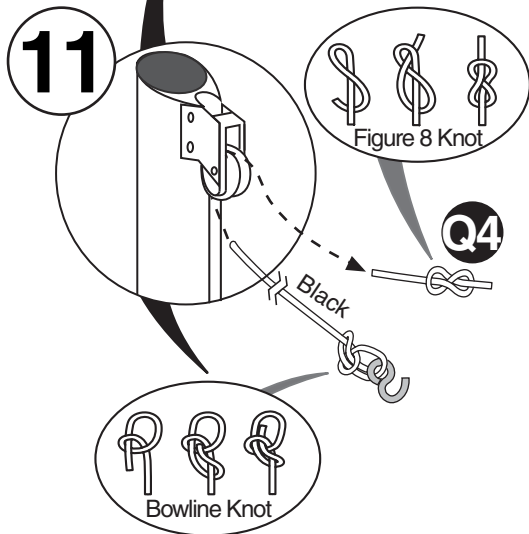
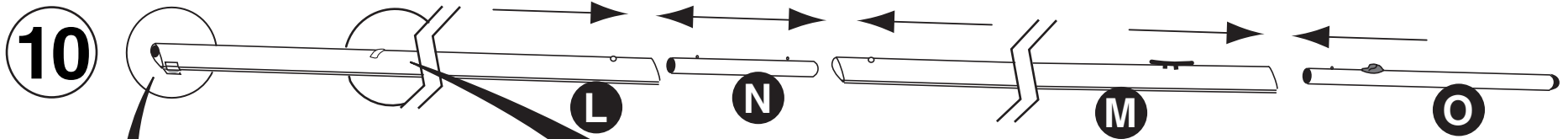
Toll Free Phone (U.S.A & Canada) 1-888-44WALKER (449-2553) or 604-682-5699 Fax (U.S.A & Canada) 1-888-228-7222 or 604-683-1877

web: www.walkerbay.com email: info@walkerbay.com

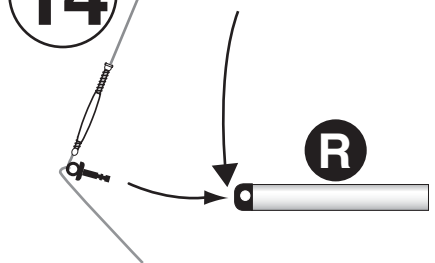




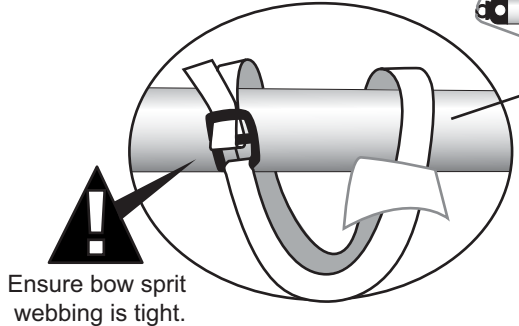
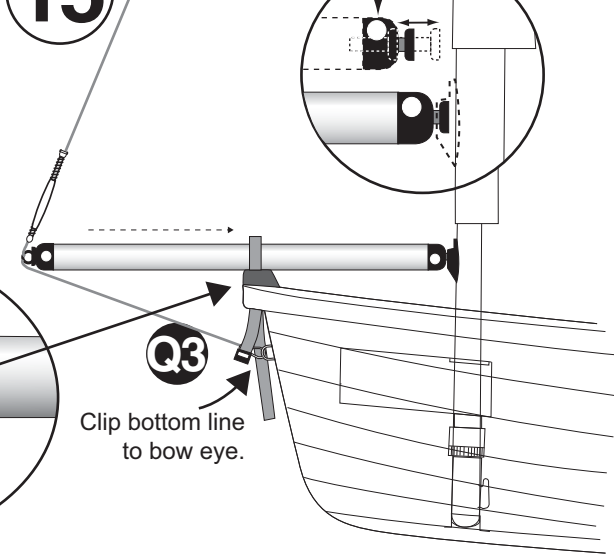
Use bit provided to enlarge lower bow eye holes to accommodate heavy duty bow eye.
 If boat model does not have a lower bow eye, drill 1st hole 8 3/8" (21cm) from gunwale lip along bow line.



14 Insert mushroom pin with eyebolt into end of bow sprit pole.



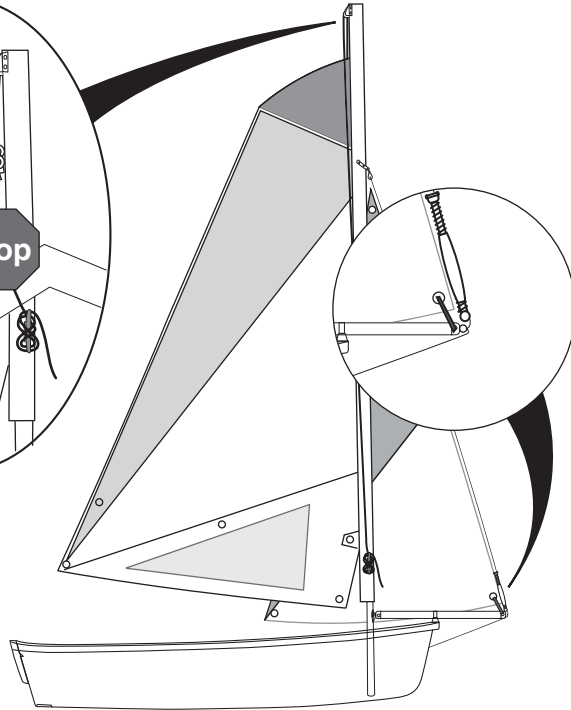
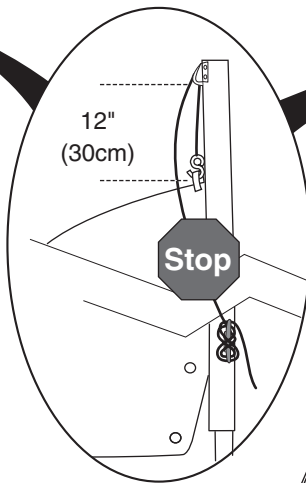
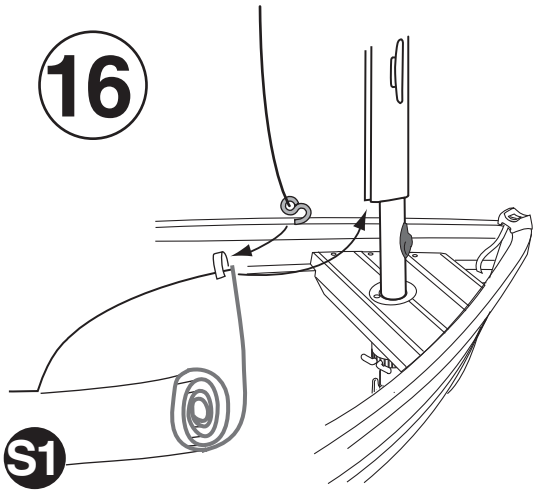
15



Ensure bow sprit webbing is tight.

Clip bottom line to bow eye.

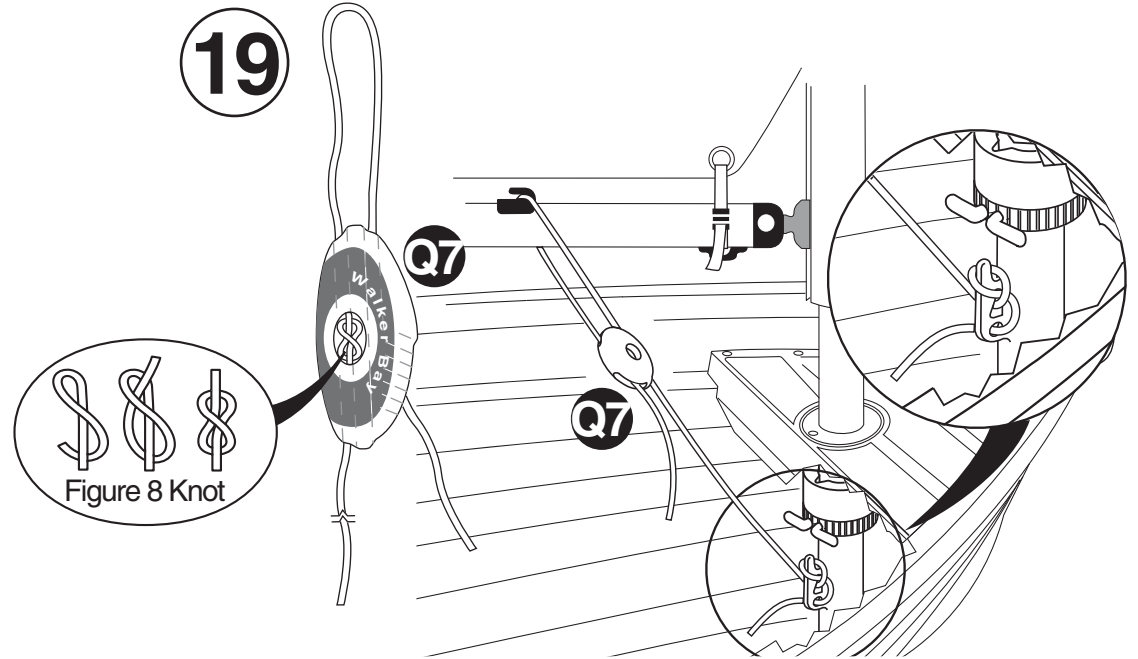
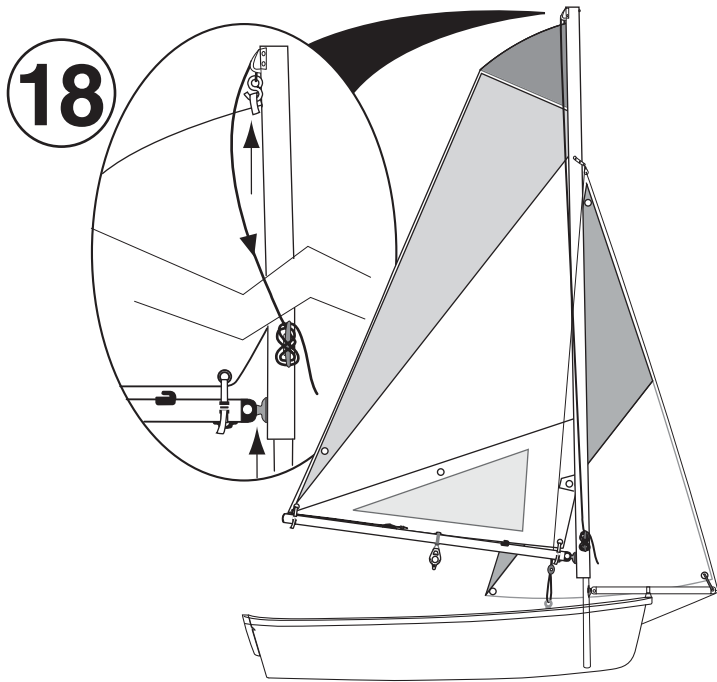
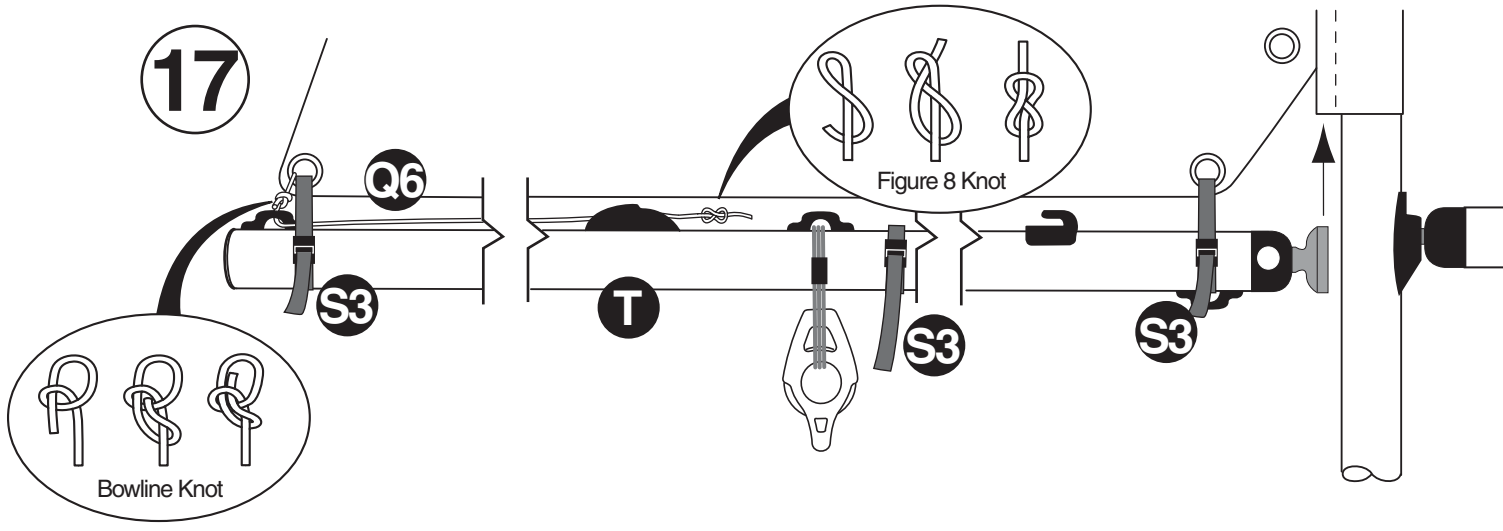
16



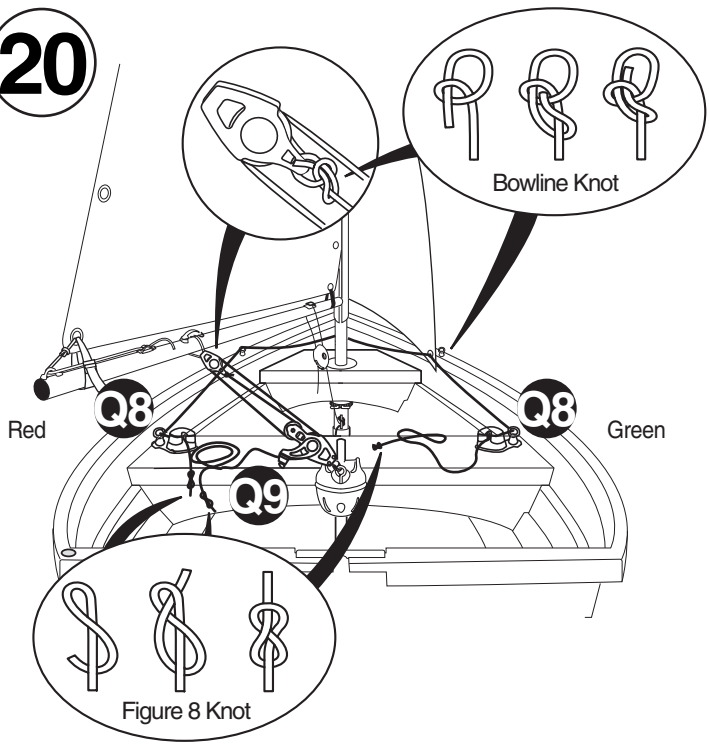
S1

NOTE:
When hoisting sail do not force.
Feed sail into mast track gently.

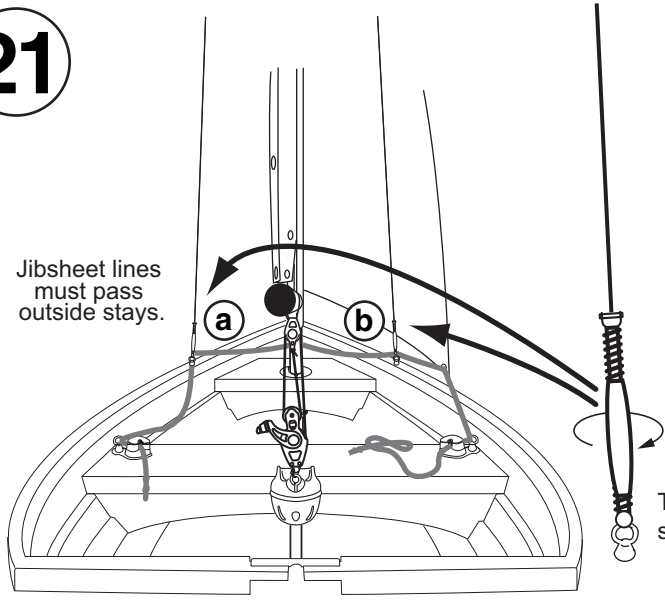
S2



20



21

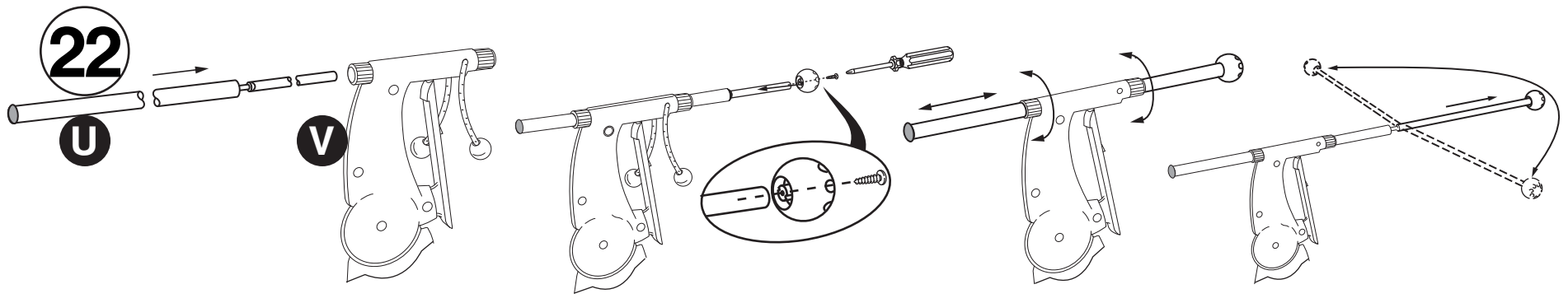


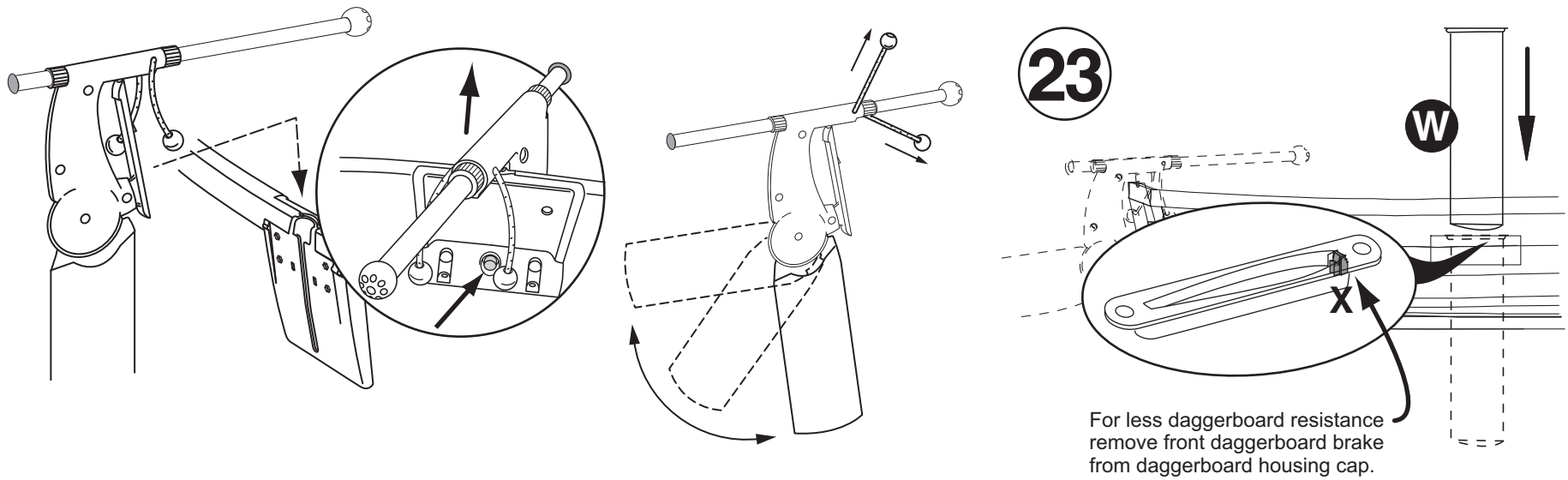
! WARNING

- Stays must be securely fastened when sailing (Leeward/downwind stay will be loose while sailing)
- Do not attempt to sail if stays are not securely fastened.
- Risk of rigging collapsing if stays are not securely fastened.
- Always check condition of rigging before sailing, and service if necessary.

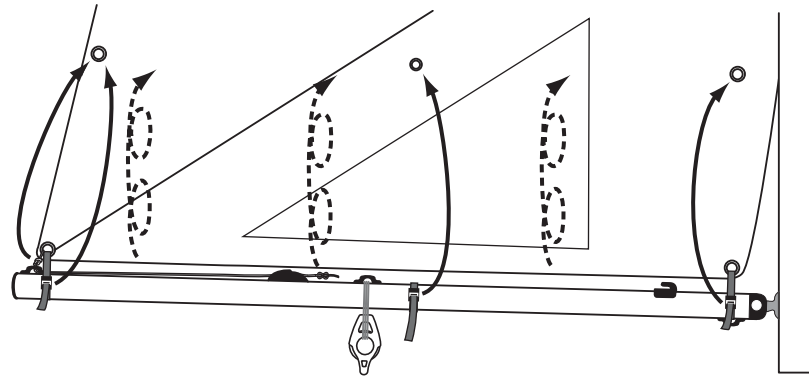
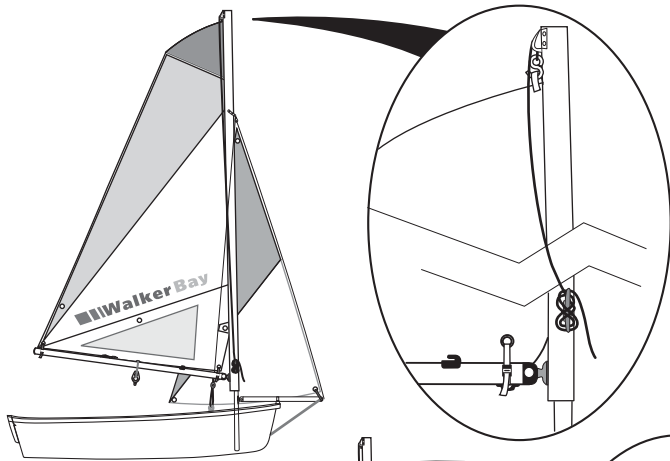
To add necessary tension to the stays tighten with turnbuckle.

22

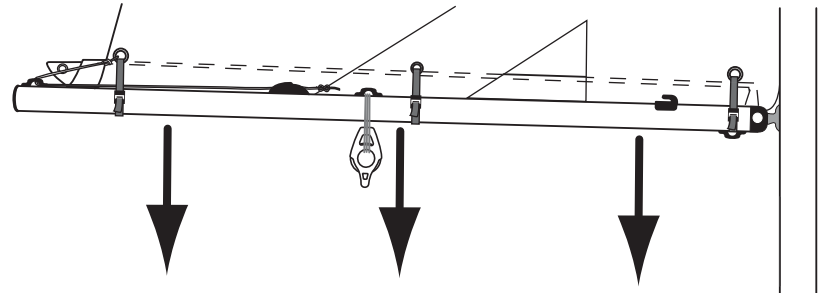
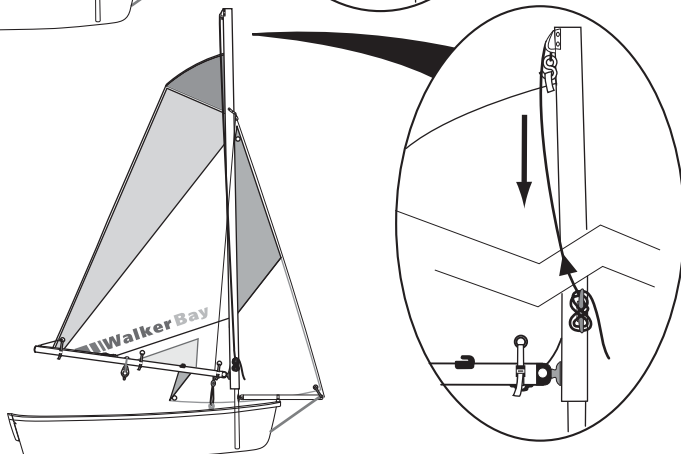




HOW TO ADJUST SAIL SIZE



Raise boom/sail for stronger wind or more head room.
Lower reefed boom/sail for normal use.



WARNING

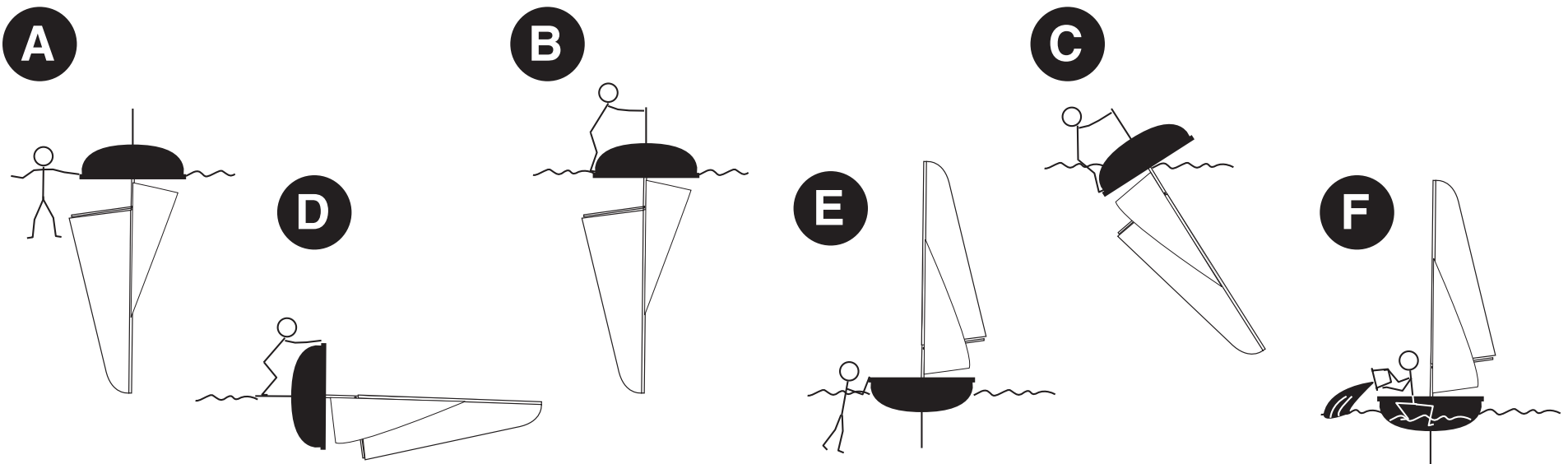
IMPORTANT SAFETY INFORMATION

- READ OWNERS MANUAL. IMPROPER USE MAY CAUSE INJURY OR DEATH.
- EACH PASSENGER MUST HAVE AN APPROVED PERSONAL FLOTATION DEVICE.
- CARRY AN OAR AND BAILER ON BOARD WHILE SAILING.
- USE A BUDDY SYSTEM, SAIL WHERE PEOPLE CAN SEE AND HELP YOU IF NECESSARY.
- DO NOT USE A MOTOR OR SAIL UNLESS YOU USE THE EQUIPMENT IN THE MANNER INTENDED AND/OR AS DESCRIBED IN THE MANUAL.
- DO NOT USE THIS BOAT UNDER THE INFLUENCE OF DRUGS OR ALCOHOL.
- DO NOT USE THIS BOAT IF YOU SUSPECT A CRACK OR A HOLE. IT MAY BE UNSAFE.
- USE CAUTION WHEN ENTERING OR EXITING THE BOAT.
- KEEP YOUR WEIGHT CENTERED AND DISTRIBUTE THE WEIGHT OF GEAR AND PASSENGERS EVENLY.
- DO NOT USE THIS BOAT AS A TOW CRAFT.
- THIS BOAT IS NOT A TOY. ADULT SUPERVISION ADVISED.
- PARTS AND SPECIFICATIONS SUBJECT TO CHANGE WITHOUT NOTICE.
- FOR SAFETY INFORMATION OR PARTS, CALL WALKER BAY BOATS AT: (888) 44-WALKER OR (604) 682-5699.

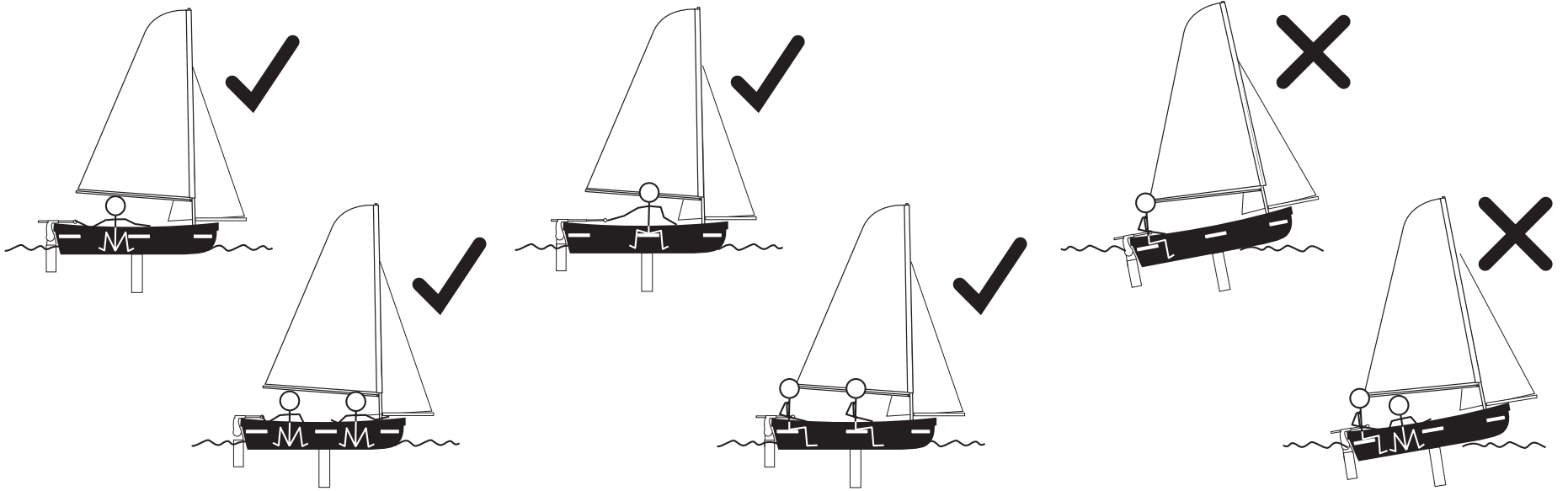
MAINTENANCE AND STORAGE

- After use, especially in salt water, rinse boat, sail, spars and rigging with fresh water.
- Do not use detergents or chemicals to clean sail.
- Roll sails and store inside sail bag.
- Do not store sails wet or damp.
- Avoid unnecessary prolonged exposure of sails to direct sunlight.
- Check rigging before each use, and service if necessary.
- Do not sail boat if stays are not securely fastened in the manner illustrated in these instructions.

RIGHTING YOUR BOAT AFTER CAPSIZE



CORRECT SAILING POSITIONS



CORRECT SAIL TRIM

